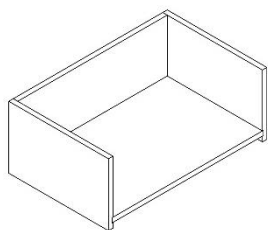


Instructions for mounting the njufront.pl front of the drawer IKEA BESTA system

Content

IKEA

1x



BESTA drawer body

+ 4x



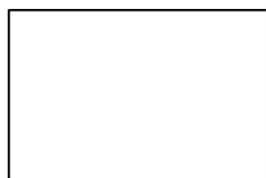
+ 4x



Connectors

NJUFRONT

1x



Drawer front

ADDITIONALLY



Material that secures the floor

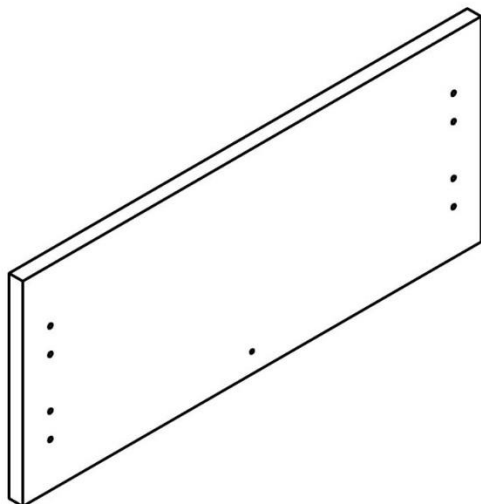


Install the BESTA drawer body in accordance with the assembly instructions provided by the manufacturer.

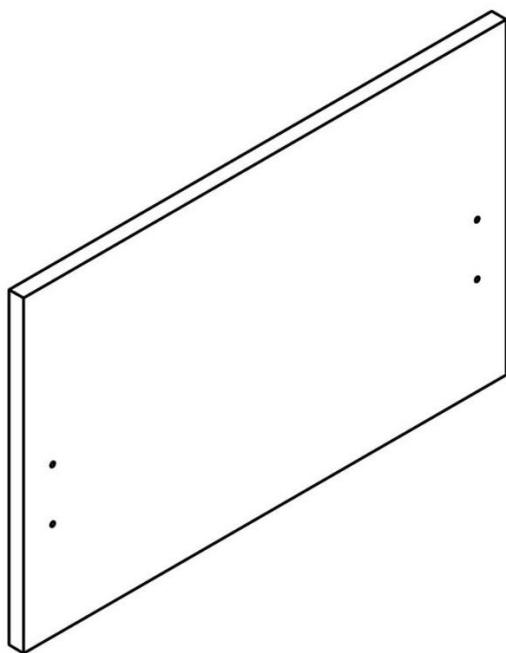
Please follow the safety instructions attached to the furniture. It is recommended to install the BESTA bodies to the wall using the anchor brackets supplied with the IKEA cabinet, especially in the case of high-quality fronts.

Assembly of drawer front

Location of mounting holes



Front height 26 cm



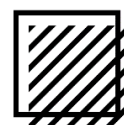
Front height 38 cm

During installation, the floor should be secured with a soft material backing (eg carpet) to avoid possible damage to the surfaces of the painted fronts.

Before mounting, make sure that the surfaces of the elements are clean and that nothing is on their surface.

The drawer fronts should be installed in accordance with the IKEA instructions

AA-1883075-1



njufront.pl

During assembly



Before assembly, the surfaces of the elements should be cleaned with a soft, damp microfiber or cotton cloth.



When assembling panels and fronts, avoid shocks with hard or sharp objects that may permanently damage the surface of the varnish.



Avoid exposing the surface of painted parts to contact with sharp objects.



Avoid bumping the elements against the ground. When laying down the elements, soft-material should be used to protect them against damage.



Do you have questions or concerns about assembly? Contact us by phone 606 402 112 or by e-mail biuro@njufront.pl. We will try to help.

Cleaning



Avoid using undiluted or concentrated detergents with a strong effect; acetone, ammonia, alcohol and other abrasives cleaning agents.



Avoid using bristles with hard bristles; abrasives in the form of pastes and powders; sponge for scrubbing and sharp cloths.



Surfaces should be regularly cleaned with a soft, damp microfiber or cotton cloth, using a mild cleaning solution for painted surfaces. After cleaning, wipe the front with a damp cloth and wipe dry.