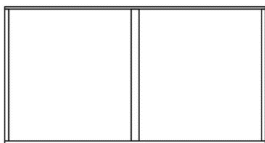
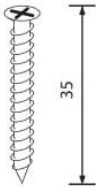
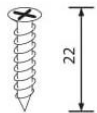

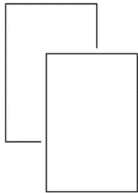
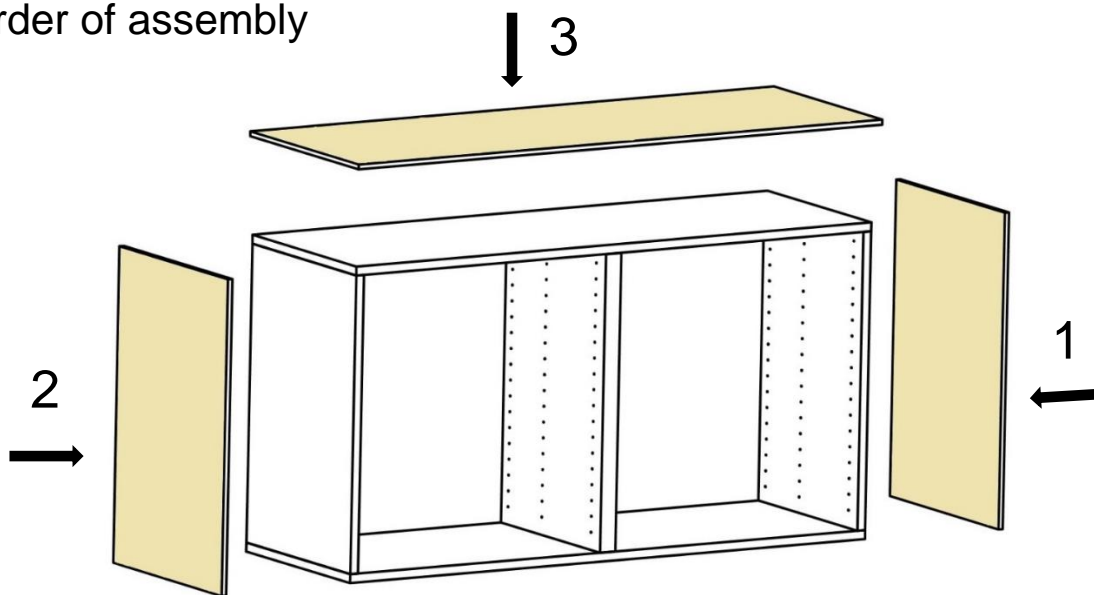


Assembly instructions njufront.pl panels for the IKEA BESTA system

Content

<p>IKEA</p> <p>1x</p>  <p>BESTA body</p>	<p>ADDITIONALLY</p> <p>6x</p>  <p>35</p> <p>Screws – top panel</p>	<p>+</p> <p>8x</p>  <p>22</p> <p>Screws – side panels</p>
<p>NJUFRONT</p> <p>1x</p>  <p>Top panel</p>	<p>+</p> <p>2x</p>  <p>Side panels</p>	

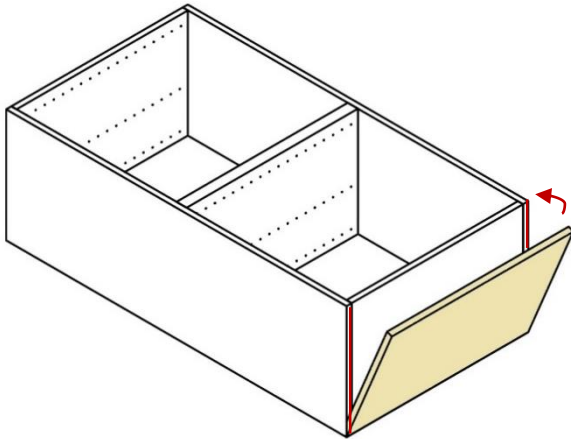
Order of assembly



Please follow the safety instructions attached to the furniture. It is recommended to install the BESTA bodies to the wall using the anchor brackets supplied with the IKEA cabinet, especially in the case of high-quality fronts.



Side panel assembly



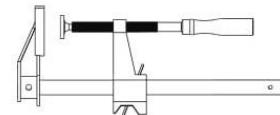
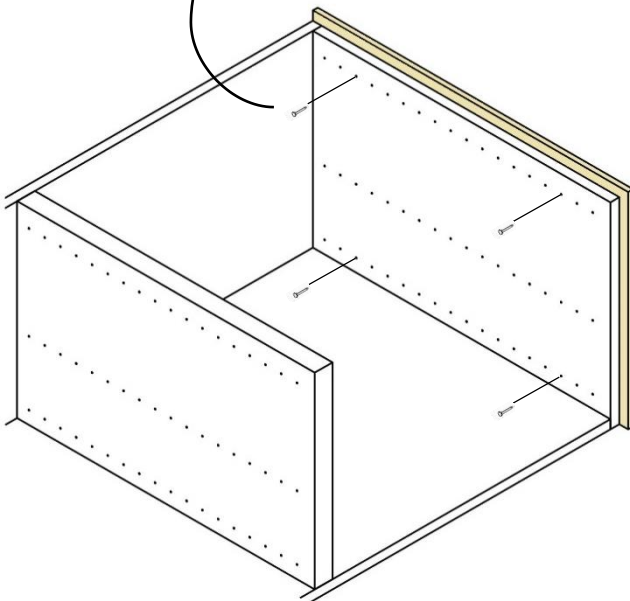
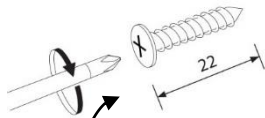
Before mounting, make sure that the surfaces of the elements are clean and free from contamination.

Position the furniture body in a position, where the rear wall is on the ground. Place the side panel in a suitable place so that its edges adhere to the furniture body.

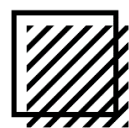
Secure the panel with screws by placing them on the inside of the body.

You can use the holes under the shelves to attach the screws for the side panels.

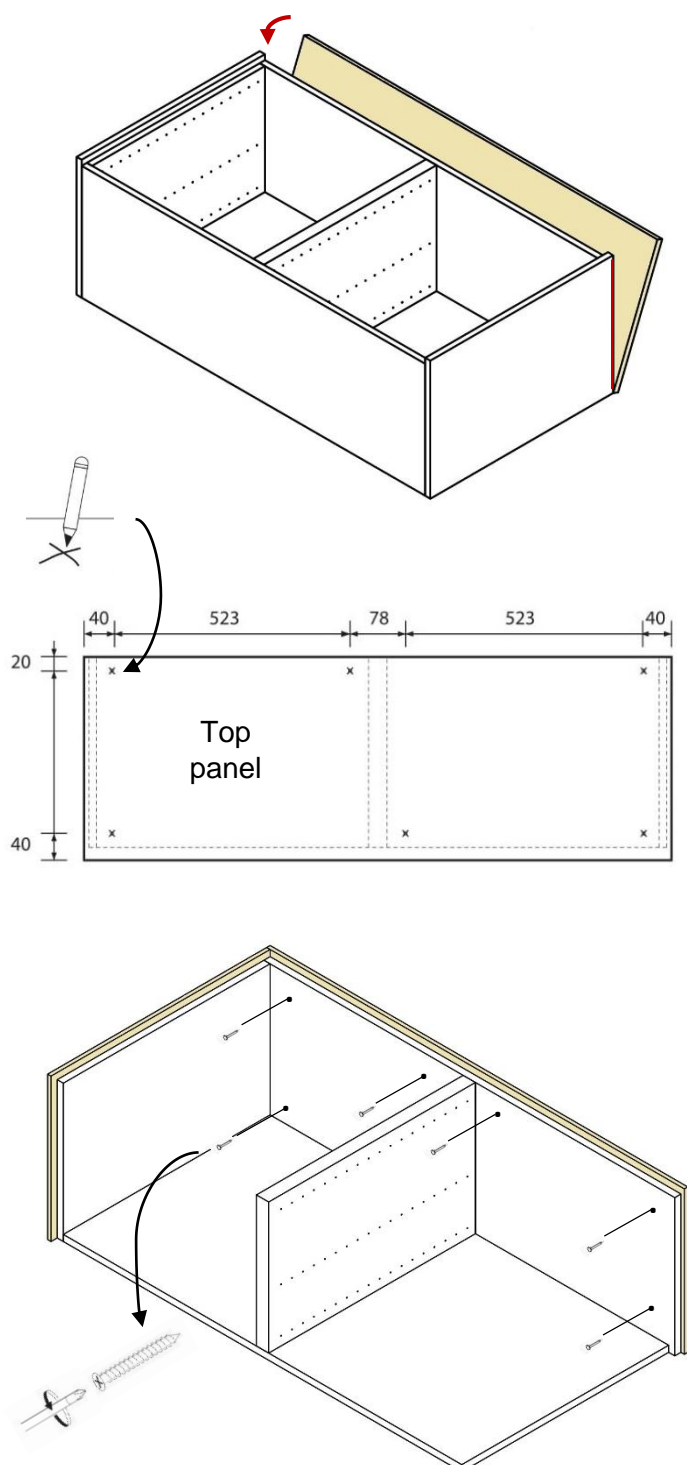
When screwing the screws, press the panel to the body with your hand. If you have one, you can use a carpentry clamp for this purpose.



Place the screws as evenly as possible.



Top panel assembly



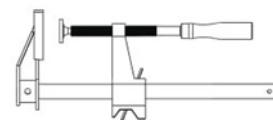
Before mounting, make sure that the surfaces of the elements are clean and free from contamination.

Position the furniture body in a position, where the rear wall is on the ground. Place the top panel in a suitable place so that its edges adhere to the furniture body.

Using a pencil to mark the location of the screws.

Secure the panel with screws by placing them on the inside of the body.

When screwing the screws, press the panel to the body with your hand. If you have one, you can use a carpentry clamp for this purpose.



Place the screws as evenly as possible.

During assembly



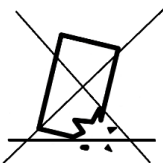
Before assembly, the surfaces of the elements should be cleaned with a soft, damp microfiber or cotton cloth.



When assembling panels and fronts, avoid shocks with hard or sharp objects that may permanently damage the surface of the varnish.



Avoid exposing the surface of painted parts to contact with sharp objects.



Avoid bumping the elements against the ground. When laying down the elements, soft-material should be used to protect them against damage.



Do you have questions or concerns about assembly? Contact us by phone 606 402 112 or by e-mail biuro@njufront.pl. We will try to help.

Cleaning



Avoid using undiluted or concentrated detergents with a strong effect; acetone, ammonia, alcohol and other abrasives cleaning agents.



Avoid using bristles with hard bristles; abrasives in the form of pastes and powders; sponge for scrubbing and sharp cloths.



Surfaces should be regularly cleaned with a soft, damp microfiber or cotton cloth, using a mild cleaning solution for painted surfaces. After cleaning, wipe the front with a damp cloth and wipe dry.

